

## IEEE1394.b 1.45 million pixels camera

# KP-F140F

### Outline

KP-F140F is high-resolution progressive scan color camera corresponding to IEEE1394.b with 1/2-inch full pixel read out CCD



### Main Features

**1.45 million pixels, progressive scan high speed read out**

This camera output high resolution image with 15 frames per second using effective pixels 1392(H)x1040(V) and square lattices.

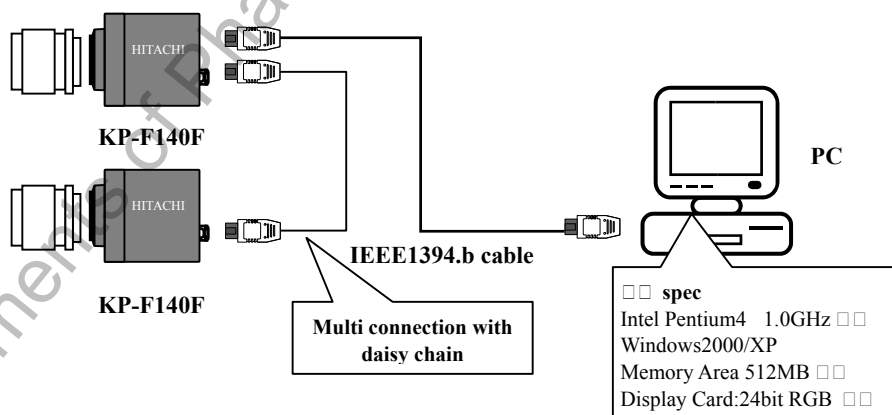
**Supported IEEE1394.b**

Since supported IEEE1394.b interface, direct PC connection with a thinner cable than a parallel output possible. Multi camera connection is possible by daisy chain.

**Various functions**

- Electronic shutter
- External sync
- Trigger
- Partial scan
- Daisy chain
- Remote control

<Connection example>



### Specifications

Imaging sensor	1/2-inch interline CCD
Effective pixel	1392(H)×1040(V)
Unit cell size	4.65(H)×4.65(V)μm square size
Scanning system	Progressive scan
Sync system	Internal/external
Protocol	IEEE1394.b IIDC
Data format	Raw8□Raw16
Power	DC12V Approx.3.8W
Dimension	44(W)×44(H)×54(D)mm
Mass	Approx. 130g

### Suggested

Industrial automation, traffic surveillance, image processing etc.

**Please read a product specification for details.**

These specifications are subject to change without prior notice due to product improvement.



**Hitachi Kokusai Electric Inc.**

Head Office

: 14-20, Higashi-Nakano 3-choume, Nakano-ku, Tokyo 164-8511, Japan  
 Phone : +81(0) 3-3368-6111, Fax : +81(0) 3-3365-9119  
 URL : <http://www.h-kokusai.com>