



**For FA/Machine Vision
Fixed Focal**

HF16HA-1B

Applicable camera (model)

1	2/3	1/2	1/3	1/4

FIXED
Fixed Focal

**1.5
Mega**
For Megapixel
Camera

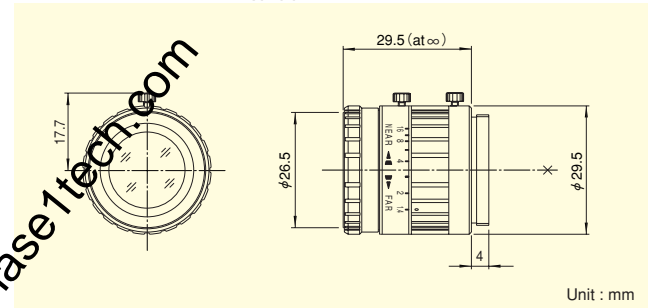
MANUAL
Manual Iris

C-mt
C Mount

METAL
Metal Mount



- Design achieving the high resolution, supporting up to 1.5 mega pixel cameras
- Designed for low distortion, enabling faithful image input
- Compact, lightweight and robust design, supporting various systems
- Focus & iris lock tab provided, supporting environments such as vibration



Focal Length (mm)		16
Iris Range		F1.4 ~ F16
Operation	Focus	Manual
	Iris	Manual
Angle Of View (H×V)	2/3"	30°45' × 23°18'
	1/2"	22°37' × 17°04'
	1/3"	17°04' × 12°50'
Focusing Range (From Front Of The Lens) (m)		∞ ~ 0.1
Object Dimensions at M.O.D. (H×V) (mm)	2/3"	63 × 47
	1/2"	46 × 34
	1/3"	34 × 26
Back Focal Distance (in air) (mm)		15.15
Exit Pupil Position (From Image Plane) (mm)		-30.9
Filter Thread (mm)		M25.5 × 0.5
Mount		C
Mass (g)		45

Remarks
 • With Metal Mount
 • With Locking Knob for Iris and Focus

Complements of Phase1tech.com